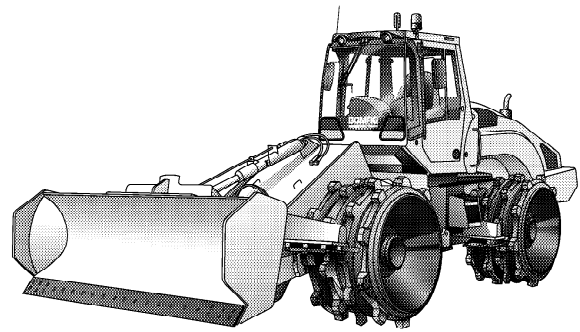


SOIL COMPACTOR BC 462 EB

PERFORMANCE DATA

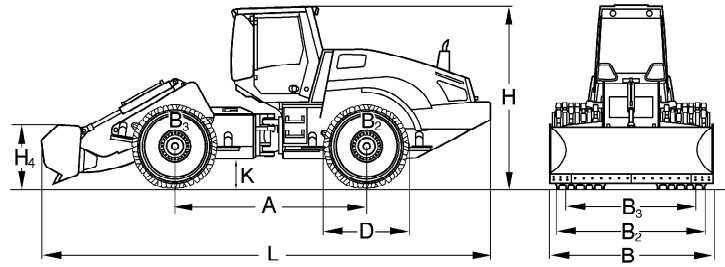


Technical Data

Shipping dimensions in m3

BC 462 EB

83,643



Options

- ROPS/FOPS
- Noise insulated cab with heating or with automatic heating – air condition
- Sun roof
- Tilting device for dozer blade
- Reversible fan
- Differential lock, rear
- Dozer blade with tilting mechanism
- Central lubrication system
- Adjustable comfortable seat
- Cabin ventilation with activated carbon filter and overpressure
- Radio
- Pre start cabin heating
- Rotary beacon
- Fire extinguisher
- Special painting
- Environmentally compliant hydraulic oil
- Electrical anti-theft system with numerical code
- Engine rpm preselection / Decelerator pedal
- Tool kit
- Engine rpm preselection / Decelerator pedal
- Protective grille for cabin

Dimensions in mm

	A	B	B2	B3	D	H	H4	K	L
BC 462 EB	3500	2998	2660	2885	1580	3390	1050	600	8230

Technical Data

Weights

Operating weight CECE	kg	21.300
Axle load, front CECE	kg	10.300
Axle load, rear CECE	kg	11.000

Dimensions

Rear overhang	mm	1.460
---------------------	----	-------

Driving Characteristics

Speed (1), forward	km/h	0- 4,5
Speed (1), reverse	km/h	0- 4,5
Speed (2), forward	km/h	0- 12,0
Speed (2), reverse	km/h	0- 12,0
Max. gradeability (depending on soil conditions)	%	100

Drive

Engine manufacturer	Deutz	
Type	TCD 2013 L06 2V	
Cooling	water	
Number of cylinders	6	
Performance ISO 9249	kW	190
Performance SAE J 1349	hp	261
Speed	min-1	2.300
Travel system	hydrost.	
Number of travel motors	4	
Operating voltage	V	12

Compaction Wheels

Width, front	mm	900
Width, rear	mm	900
Outer diameter (front)	mm	1.580
Outer diameter (rear)	mm	1.580
Number of teeth/cutters, front		40
Number of teeth/cutters, rear		40
Compaction coverage per side	mm	1.013

Brakes

Service brake	hydrost.
Parking brake	hydromec.
Emergency brake	hydromec.

Steering

Steering system	oscil.artic.	
Steering method	hydraulic	
Steering angle +/-	grad	35
Oscillating angle +/-	grad	15
Track radius, inner	mm	4.116

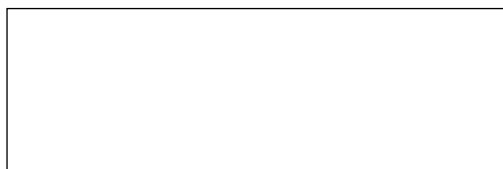
Dozer Blade

Height adjustment over ground level	mm	1.200
Height adjustment below ground level	mm	120

Capacities

Fuel	l	375
Engine oil	l	27,5
Hydraulic oil	l	280

Technical modifications reserved. Machines may be shown with options.



BOMAG
 Hellerwald
 D-56154 Boppard
 P.O. Box 5162
 Tel. (0)6742 - 1000
 Fax (0)6742 - 3090
 Fax (0)6742 - 3090

BOMAG
FAYAT GROUP